



MOTORIZED LIFT AND TILT FLOOR STAND

O1MKHTS-4384

Motorized Stand

One of the most flexible on the market

Easy height adjustment up and down or tilt to use as a visitor kiosk

PLEASE CHECK THE WEIGHT CAPACITY AND
VESA IS COMPATIBLE WITH YOUR DISPLAY

One of the most flexible stands on the market, use it vertically with easy height adjustment up and down, or tilt it to use as a visitor kiosk. The included remote control makes it easy to lay the screen completely flat so it can be used like a touchtable



Heavy duty castors with brake. Use your screen vertically, horizontally or with up to a 90° tilt. Wired remote control included. Can accommodate up to 150kg.

VESA Pattern: 400 x 400mm - 800 x 600mm. Stand Weight: 65kg.

Package Dimensions: 1200 x 800 x 850mm (LxWxH). Gross Weight: 66.8kg (70kg if on a pallet).

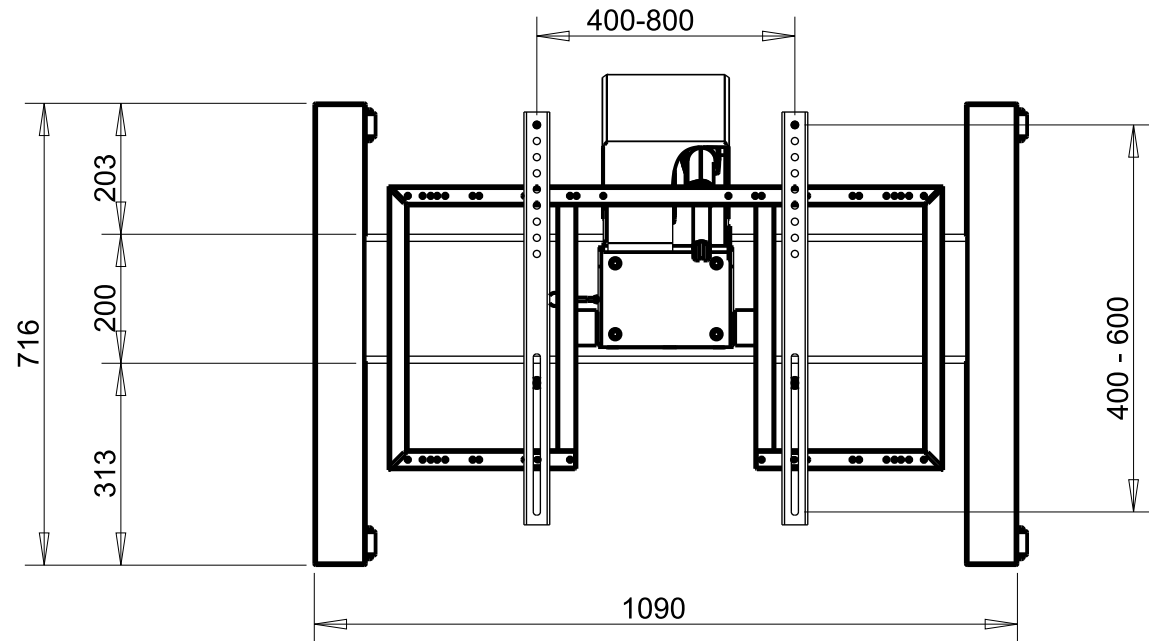
DISCOVERIBT.COM

Designed for everyone



MOTORIZED LIFT AND TILT FLOOR STAND

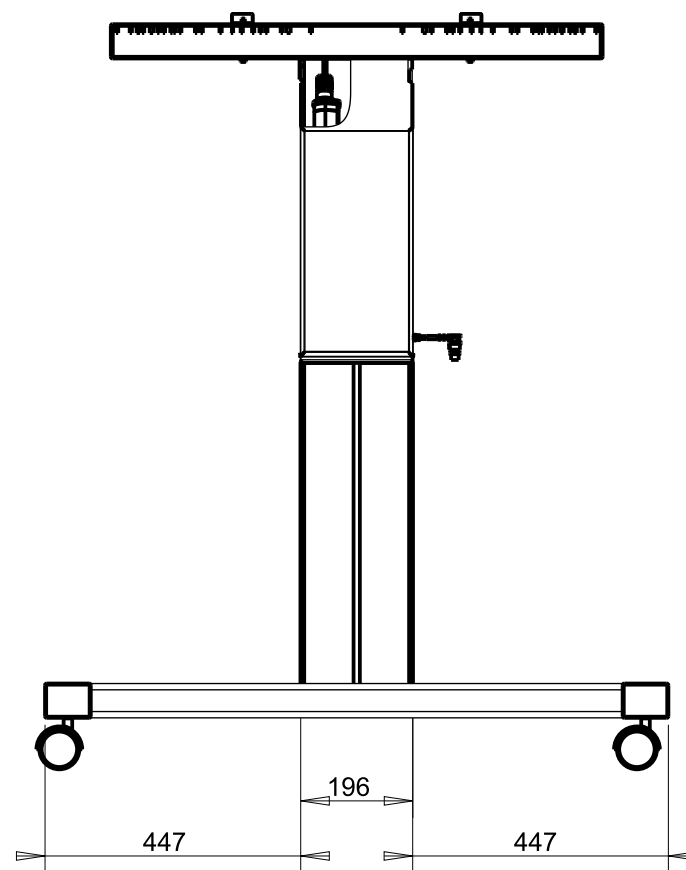
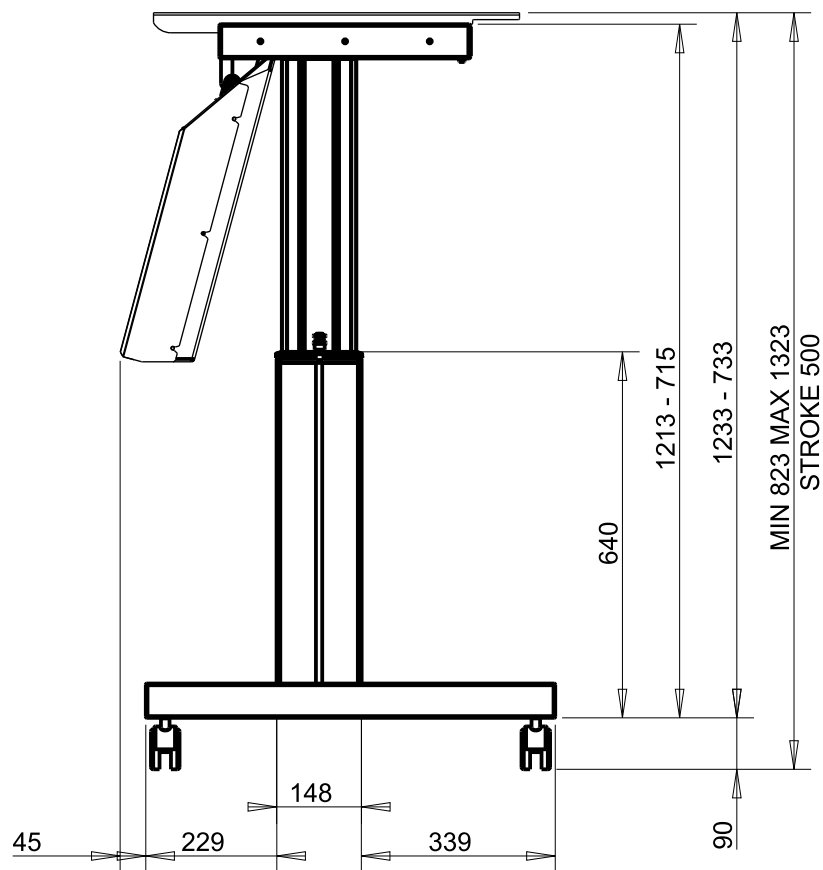
O1MKHTS-4384





MOTORIZED LIFT AND TILT FLOOR STAND

O1MKHTS-4384





MOTORIZED LIFT AND TILT FLOOR STAND

O1MKHTS-4384

