



# MOTORIZED LIFT FLOOR STAND

**MMS5598-01M**

**Supports up to 136.4kg**  
**Suitable for most displays - 55" to 105"**

PLEASE CHECK THE WEIGHT CAPACITY AND VESA IS COMPATIBLE WITH YOUR DISPLAY

**Easy push button height adjustment**  
 Vertical screen height adjustment via a simple two button switch that can be mounted on the column or on the back of the screen.

**Height adjustable camera tray**  
 An adjustable steel bracket and mounting tray to hold components up to 10 lbs or 4.5kg is included. Perfect for video conferencing cameras and mounts.

**Full ball bearing runners**  
 High quality ball bearing runners provide smooth performance for years of trouble free operation and easy movement.

**High tensile heavy gauge material constructed solid base for better support, stability and rigidity.**

**Integrated cable management system**  
 Specialised channels integrated into the columns provide safe, accessible and flexible cable management to either side of the screen.

**Swivelling braked caster wheels**  
 With 4" (100mm) heavy duty swivelling caster wheels with brakes, move your screen into position easily.

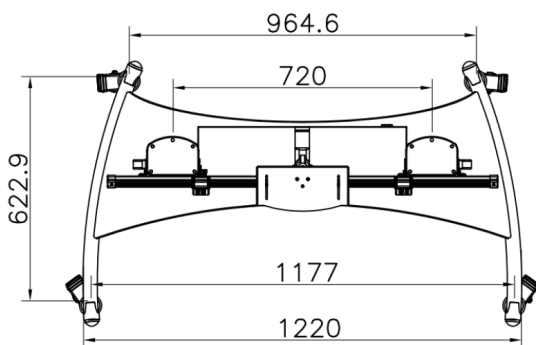
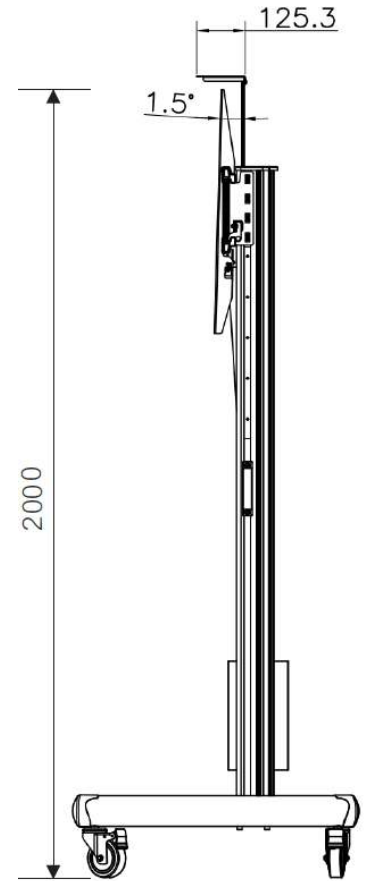
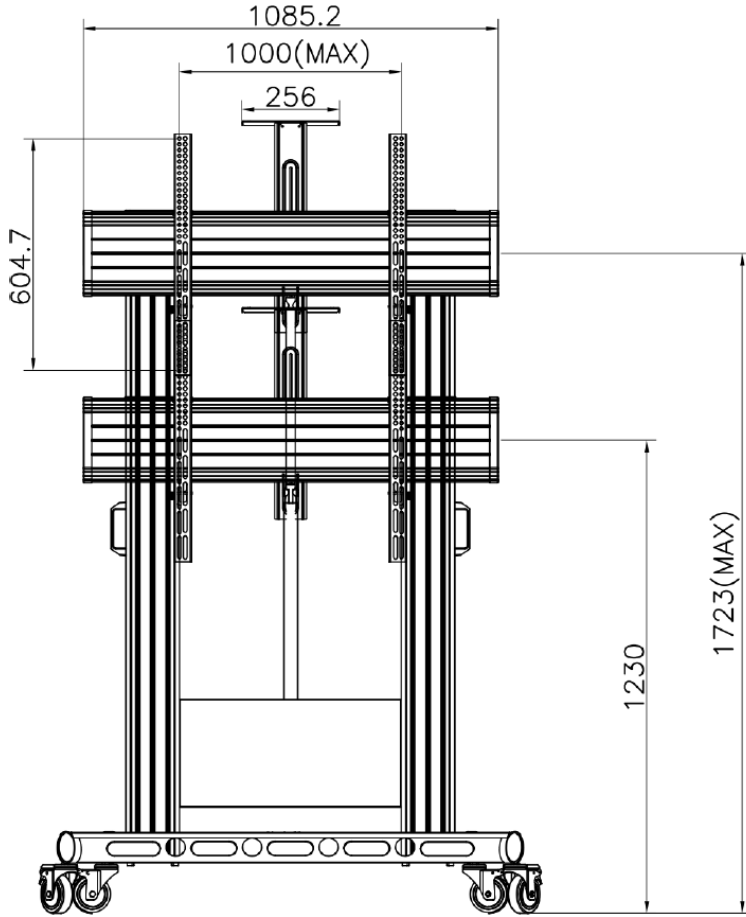
**Twin Column Design**  
 Two solid one-piece heavy duty aluminium alloy extrusion columns provide rigid and stable support for larger screens.



Screen Size	Max load	VESA pattern	Tilt angles	Swivel angles	Height adjustment	Materials used
55" - 110"	136.4kg	200*200-1000*600mm	0°	0°	48.3" -67.8" (1230-1723mm) 19.6" (500mm) Vertical Travel	Aluminum alloy and High tensile strength steel

VESA (mm): 200x200, 300x300, 400x200, 400x300, 400x400, 600x400, 800x400, 800x500, 800x600, 1000x600  
 (VESA is measured in mm and left to right, then top to bottom).

Package dimensions LxWxHmm: 1780x830x250mm. Gross weight: 61kg.



Dimensions shown in mm